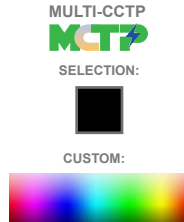


LFX-MD SERIES Outdoor Lighting

LFX-MD-15-50W-MCTP-KN-BK

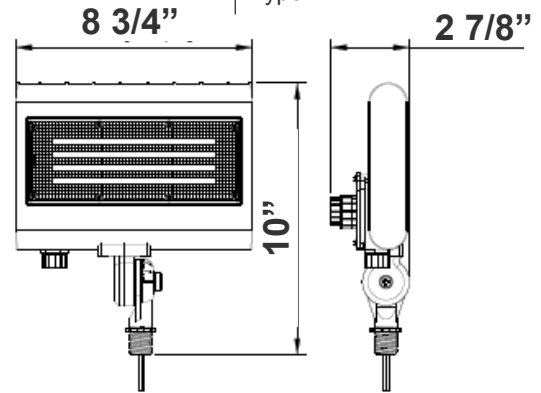


Customer Name: _____

Project Name: _____

Note: _____

Type: _____



10"(H) x 8 3/4"(W) x 2 7/8"(D)

Ideal for general site lighting, alleys, loading docks, doorway, pathway, and parking areas.

Features

- DLC Premium & LED High-Lumen Floor lights
- Solid State Lighting Technology for Long Life
- No Maintenance Needed and High-Efficiency
- 70,000 Hours Rated Life
- 7-Year Warranty
- Optic Lens Type: III
- Multi-CCT Power - The Switch is on the Bottom of the Fixture

Technical Specifications

Electrical:

- Voltage: 120~277V AC/50~60 Hz
- Wattage: 10W/ 15W/ 20W/ 30W
- Power Factor: >0.9
- Efficacy: 130 LPW

Mechanical:

- Die-cast Aluminum Housing with Powder Coat Finish (Dark Bronze and White Finish)
- LED: Philips Lumileds Luxeon 2835 High Flux LED
- Solid State Lighting technology for long life, no Maintenance needed and High-Efficiency
- High Conductive Aluminum LED Board
- 90° Adjustable 1/2" Knuckle Mount
- IP Rating: IP65
- Operating Temperature: -40°F to 104°F
- Suitable for Wet Locations

Lighting:

- Dimming: 0~10V Dimmable
- Optic Lens Type: III
- Cord type: 13" #18 AWG stranded wires
- Multi-CCT Power - The Switch is on the Bottom of the Fixture
- Color temperature: 3000K/ 4000K/ 5000K/ 5700K
- Total Lumens: 6350LM Max
- Multi CCT: Selectable Wattages & CCTs
- Color Rendering Index: ≥ 82
- Beam Angle: 120°X 90°

Applications:

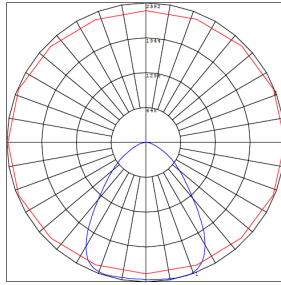
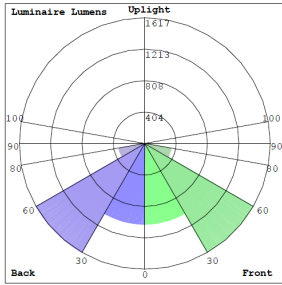
- Ideal for general site lighting, alleys, loading docks, doorway, pathway and parking areas.
- Replace existing HID flood lights/ wall packs

Other Models:

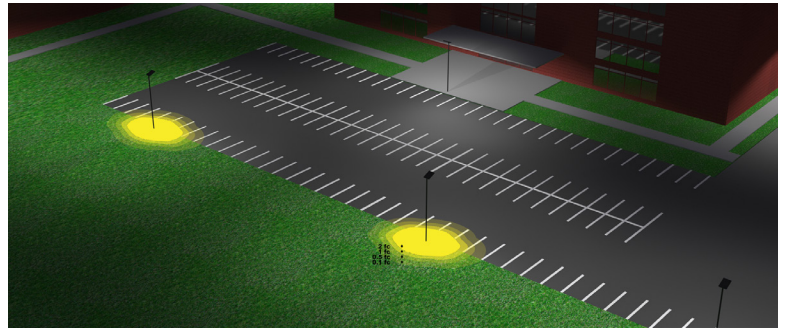
- 50W | 6350LM | LFX-MD-15-50W-MCTP-KN • 50W | 6350LM | LFX-MD-15-50W-MCTP-KN-WH • 50W | 6350LM | LFX-MD-15-50W-MCTP-KN-SV



Photometrics: LFX-MD-15-50W-MCTP-KN-BK



BUG Rating: B3-U0-G1



Area 45'x 155' Mounting Height: 20'

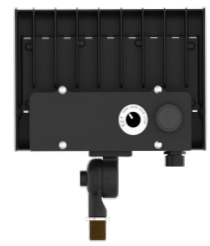
Other Views:



Side View



Front View



Back View

Performance Table: LFX-MD-15-50W-MCTP-KN-BK

MODEL NO.	Wattage	Voltage	Lumens	Color Temp.	BUG Rating	LPW	
LFX-MD-15-50W-MCTP-KN-BK	15W	120~277V	2000LM	3000K 4000K 5000K 5700K	B3-U0-G1	130	
			2100LM				
			2180LM				
			2180LM				
	20W		2550LM				
			2620LM				
			2700LM				
			2700LM				
	30W		3800LM				
			3990LM				
			4020LM				
			4020LM				
			6250LM				
			50W				6320LM
							6320LM
6320LM							
6350LM							



Sample Ordering

Model	Size	Min.Wattage	Max.Wattage	Color Temp.	Mount	Housing
LFX	MD	15	50W	MCTP	KN	BK

Accessories Options

Blank = No Option For Accessories

WRC-3-BRZ =Weatherproof cover with three(3) 1/2" hubs

ACCESSORIES AND MOUNTING OPTIONS



WRC-3-BRZ
Weatherproof cover with
Three
(3) 1/2" hubs
(Can be painted)



B-41
(Can be painted)



Mounts to landscape
post
or any 1/2" hub



Fully adjustable 1/2"
threaded knuckle for aiming
versatility

Color Options: Custom Color Available

Black Silver White **Dark Bronze** Green Red Yellow
Default color



Example:

1. LFX-MD-15-50W-MCTP-KN-BK

(For LFX 15-50W MCTP fixture 120V-277V)

2. LFX-MD-15-50W-MCTP-KN-BK
WRC-3-BRZ

(For LFX 15-50W MCTP fixture 120V-277V)
(Weatherproof cover with three(3) 1/2" hubs)

